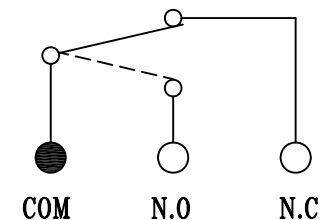
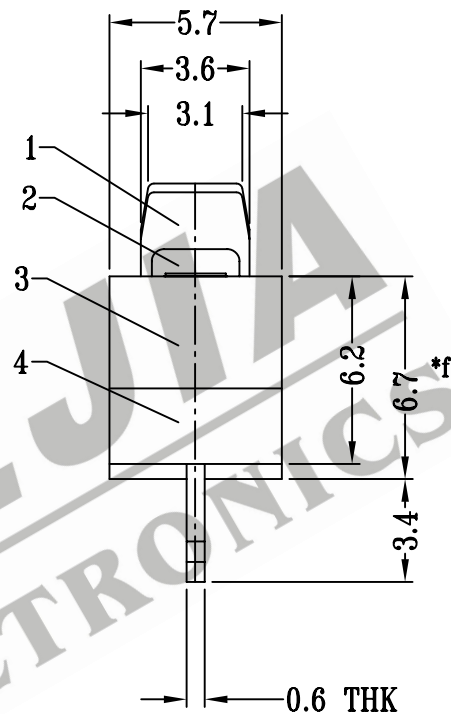
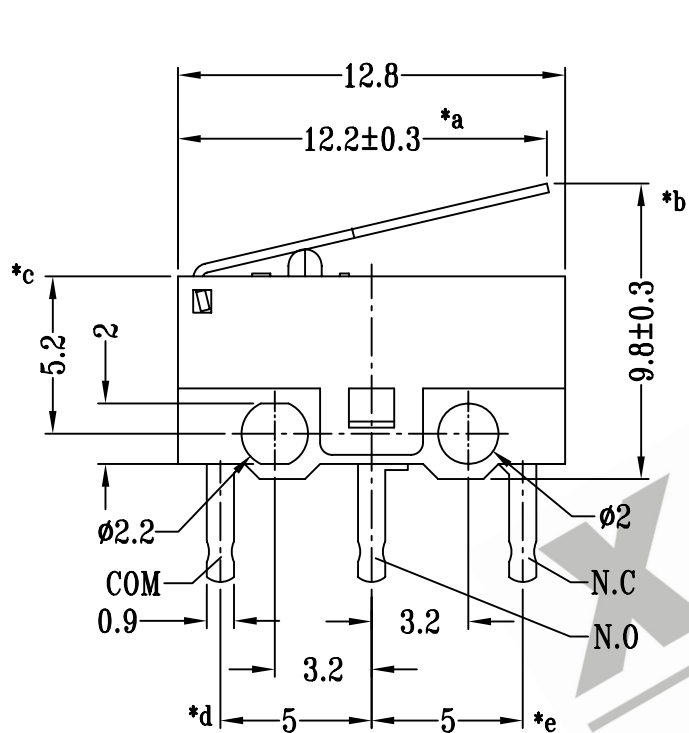
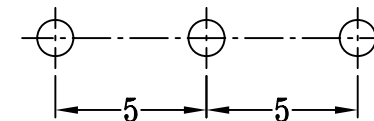


CAD FILE:



**SCHEMATIC**



**P.C.B LAYOUT**

9	CONTACT B	PBS STRIP	1	NATURAL
8	CONTACT A	SLIVER	1	NATURAL
7	TERMINAL (COM)	BRASS STRIP	1	Ag PLATED OVER Ni PLATED
6	TERMINAL (N.O)	BRASS STRIP	1	Ag PLATED OVER Ni PLATED
5	TERMINAL (N.C)	BRASS STRIP	1	Ag PLATED OVER Ni PLATED
4	INSERT CASE	PBT	1	WHITE
3	HOUSING	PC	1	BLACK
2	KNOB	POM	1	BLACK
1	STEEL KNOB	STAINLESS STEEL	1	NATURAL
NO.	PARTS	MATERIALS	Q'TY	FINISH

TOLERANCE UNLESS SPECIFIED		SHENZHEN XIEJIA ELECTRONICS CO.,LTD.		
WITHIN: 1.5±0.1mm OVER: 1.5±0.2mm		ISSUE	DATE	DESCRIPTIONS OF REVISION
TITLE: MICRO SWITCH		UNIT: mm	DRWG NO.: XJ-DR-MX1383-00	
MODEL: MX-1383		SCALE: 4:1	DWN. ZHOUYU	2004-12-6
ALL MATERIALS MUST BE COMPLIANT TO ROHS		APPD. KANGXINAN	CHK'D FANGYING	2004-12-6
			APPD. KANGXINAN	2004-12-6

注:带"\*"表示关键尺寸(6个)